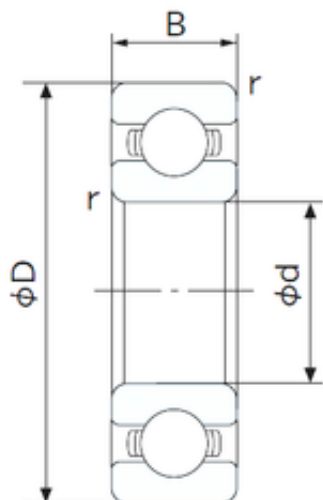




China 6206 Bearing Supplier



NSK NTN Koyo NACHI High Precision
 Manufacturer Price Single Row Deep Groove Ball
 Bearing 6903 6338 Open Zz RS 2RS for Auto Parts

Bearing No. 6903

Size	17x30x7 mm
Bore Diameter	17 mm
Outer Diameter	30 mm
Width	7 mm
d	17 mm
D	30 mm
B	7 mm
C	7 mm
r min.	0.3 mm
da min.	19 mm
Da max.	28 mm
ra max.	0.3 mm
Weight	0.018 Kg
Basic dynamic load rating (C)	4,6 kN
Basic static load rating (C0)	2,55 kN
(Grease) Lubrication Speed	24000 r/min
Category	Single Row Ball Bearings
Inventory	0.0
Manufacturer Name	NACHI
Minimum Buy Quantity	N/A
Weight / Kilogram	0.018
Product Group	B00308
Enclosure	Open
Precision Class	ABEC 1 ISO P0

6903 Bearing 2D drawings and 3D CAD models



China 6206 Bearing Supplier

Maximum Capacity / Filling Slot	No
Rolling Element	Ball Bearing
Snap Ring	No
Internal Special Features	No
Internal Clearance	C0-Medium
Inch - Metric	Metric
Long Description	17MM Bore; 30MM Outside Diameter; 7MM Outer Race Diameter; Open; Ball Bearing; ABEC 1 ISO P0; No Filling Slot; No Snap Ring; No Internal Special Features
Category	Single Row Ball Bearing
UNSPSC	31171504
Harmonized Tariff Code	8482.10.50.68
Noun	Bearing
Keyword String	Ball
Manufacturer URL	http://www.nachi.com
Weight / LBS	0.04
Outer Race Width	0.276 Inch 7 Millimeter
Bore	0.669 Inch 17 Millimeter
Outside Diameter	1.181 Inch 30 Millimeter
Bore Type	Cylindrical Bore
Configuration	Single Row
Bore Size	17 mm
Width	7 mm
Fillet Radius/Chamfer	0.3 mm
Dynamic Load Rating	4,600 N
Static Load Rating	2,550 N
Limiting Speed - Grease	24,000 rpm
Limiting Speed - Oil	29,000 rpm
Factor fo	14.7



China 6206 Bearing Supplier

Radial Clearance	0.003 to 0.018 mm
da (min)	19 mm
Da (max)	28 mm
ra (max)	0.3 mm