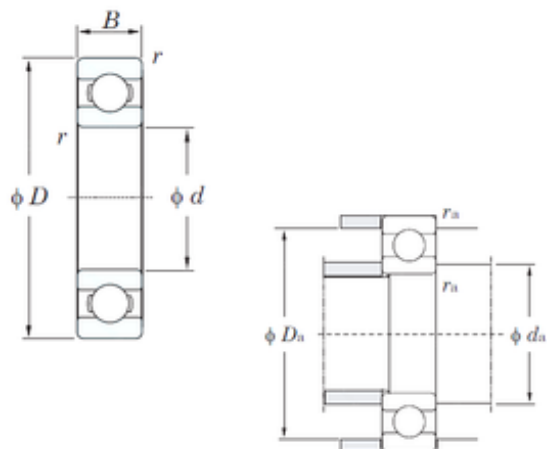




China 6206 Bearing Supplier



SKF NSK Timken Koyo NTN Deep Groove
Ball Bearing 6318 6319 6320 6321 6322 6324-2z/C3
2RS1/C3 628/4 628/5 628/6 628/7 628/8 628/9 -2z
-2RS1

Bearing No. 6318

Size	90x190x43 mm
Bore Diameter	90 mm
Outer Diameter	190 mm
Width	43 mm
d	90 mm
D	190 mm
B	43 mm
C	43 mm
r min.	3 mm
da min.	103 mm
Da max.	177 mm
ra max.	2,5 mm
Weight	4,91 Kg
Basic dynamic load rating (C)	143 kN
Basic static load rating (C0)	107 kN
(Grease) Lubrication Speed	3500 r/min
(Oil) Lubrication Speed	4200 r/min
Category	Single Row Ball Bearings
Inventory	0.0
Manufacturer Name	KOYO
Minimum Buy Quantity	N/A
Weight / Kilogram	5.356
Product Group	B00308

6318 Bearing 2D drawings and 3D CAD models



China 6206 Bearing Supplier

Enclosure	Open
Precision Class	ABEC 1 ISO P0
Maximum Capacity / Filling Slot	No
Rolling Element	Ball Bearing
Snap Ring	No
Internal Special Features	No
Cage Material	Steel
Internal Clearance	C0-Medium
Inch - Metric	Metric
Long Description	90MM Bore; 190MM Outside Diameter; 43MM Outer Race Diameter; Open; Ball Bearing; ABEC 1 ISO P0; No Filling Slot; No Snap Ring; No Internal Special Features
Category	Single Row Ball Bearing
UNSPSC	31171504
Harmonized Tariff Code	8482.10.50.68
Noun	Bearing
Keyword String	Ball
Manufacturer URL	http://www.koyousa.com
Manufacturer Item Number	6318
Weight / LBS	11.798
Outside Diameter	7.48 Inch 190 Millimeter
Outer Race Width	1.693 Inch 43 Millimeter
Bore	3.543 Inch 90 Millimeter
Bearing No.	6318
r(min)	3
Cr	178
C0r	107
Cu	8.80
f0	13.3



China 6206 Bearing Supplier

Grease lub.	3500
Oil lub.	4200
da(min)	103
Da(max)	177
ra(max)	2.5
(Refer.)Mass(kg)	4.91